



MANUAL AND MAINTENANCE OF THE HYDRAULIC GEARCASE
PAGE 1 OF 12

MANUAL FOR USE AND MAINTENANCE OF HYDRAULIC GEARCASE

It contains: "E.E.C. Declaration of Conformity concerning HYDRAULIC GEARCASE"

**We Oma System S.r.l.
Via delle Scienze, 5
04011 Aprilia (LT)
Italia**

We declare under our sole responsibility that the new machine:

Brand: OMA SYSTEM S.R.L.
Type: HYDRAULIC GEARCASE
Matriculation Nr. -----
Manufacturing Year -----

	220 3F 60 Hz		220 3F 50 Hz		220 1F 60 Hz		220 1F 50 Hz
	380 3F 60 Hz		380 3F 50 Hz				

IS MADE IN CONFORMITY WITH EEC INSTRUCTION 89/392, AS MODIFIED BY EEC INSTRUCTION 91/368 EEC, 93/44 EEC AND 93/68 EEC.

IDENTIFICATION OF THE SIGNATORY

Name and First name: **DE NONI ENRICO**
Standing in the Manufacturing Company: **MANAGER**
Place and Date, Aprilia

Stamp and Signature



INDEX:

FOREWORD		Pag. 4
I. GENERAL INFORMATION & TECHNICAL DATA		Pag. 5
Identification data	1:01	Pag. 5
Weight Size & Transport	1:02	Pag. 5
Air noise Data	1:03	Pag. 6
Procedure for the Right of Guarantee	1:04	Pag. 6
II. FUNCTIONALITY		Pag. 7
Provided conditions of use	2:01	Pag. 7
Installation	2:02	Pag. 7
III. MAINTENANCE		Pag. 8
Maintenance	3:01	Pag. 8
Cleaning	3:02	Pag. 8
IV. WARNING & REMAINING RISKS		Pag. 9
General notices of security	4:01	Pag. 9
Remaining risks	4:02	Pag. 9

FOREWORD:

This manual, drafted up by the Manufacturer according to the EEC directive 89/392 and to its integrations, is aimed to informing the operator the correct way of using and maintaining the machines.

The full reading of the manual is obligatory before undertaking any tyoe of operation on the machine: installation, starting or maintenance.

For further informations or request for spare parts, the machine's identification data are to be quoted (see next page), to facilitate our technical assistance.

The user is asked not to tamper with or take off the protection or other parts of the machne (except the exchangeable tools): any alteration would lead to the decadence of our Declaration of Conformity drafted in accordance with the EEC 89/ 392 Directive, and would also invalidate the Guarantee.

The producer can be held responsible for any incident, if the machine has been modified, tampered, deprived of its both removable and fixed protections; or if it has been used for operations not stated by the producer.

BEWARE!

This symbol is used to show the type of operations or manoeuvres, that may cause injury to the user, to the machines.

Wherever this symbol appears, the istructions therein are to be read carefully and followed attentively.



I INFORMATION & TECHNICAL DATA

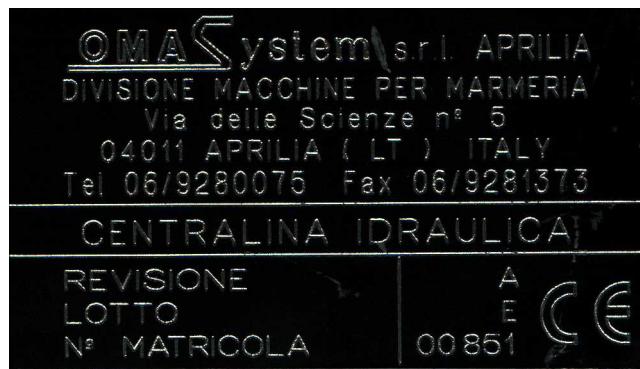
1.01 Identification Data

BEWARE !

Do not spoil for any reason the data on the identification plate.



The identification tag of “HYDRAULIC GEARCASE” is to be found as on the picture nr. 2, detail nr. 8



1.02 WEIGHT, SIZE & TRANSPORT

The weight of “HYDRAULIC GEARCASE” is of 30 kg, the machine is delivered wrapped in a bubbled plastic covering and put into a pasteboard box, whose size is: 94 x 40 x 40 cm. Delivering doesn't require any special disposal, as the weight is not considerable.

1.03 Air noise data

The machine has been tested according to the Order in Council 277, dated 15/08/91, the gaugings were made on the Operator's working place and they gave the following results:

Operation Max	Lep d db (A)	Instantaneous Max Acoustic Pressure	Peak db (A)
1) Ignition	36	< a 63 Pa	36
2) Polishing	36	< a 63 Pa	36

1.04 Procedure for the Right of Guarantee

In each package containing the machines: Antarex, Auctor A. 92, Auctor CP 99 and Hydraulic Gearcase, there are the respective Certificate of Guarantee.

Together with it, there is a card, which is to be carefully filled up, signed and sent to the Manufacturing House address.

Besides quoting the identification data, it's quite necessary to specify the date of purchase quoted in your fiscal document, in order to certify the beginning of the Guarantee.

The technical data required for filling up the card are to be taken off as showed at the point 1.1.

II. FUNCTIONALITY

2.01. Provided conditions of use and Working Place

The machines HYDRAULIC GEARCASE are available to work with the others Oma Machines

Any other use is forbidden. We don't accept any responsibility in case of improper use of the machines.

2.1.2

To keep machine far from water and humidity.

2.2. INSTALLATION

2.2.1

Fill the Hydraulic Gearcase with seven litres of oil "OSO 46" or similar, until 2 cm or so, from the hole (see picture nr. 2, detail nr.1)

2.2.2 Hydraulic connections

Link the pipes of Hydraulic Gearcase to "HYDRAULIC GEARCASE" by its special quick couplings (see picture nr. 2,)

BEWARE !

Get sure of the proper linking of Hydraulic Gearcase with the machine, while putting the quick couplings. The improper linking even of one only quick coupling could bring, while igniting serious damage to Hydraulic Gearcase, as well as to machine that you use.



2.2.3

Link a water - pipe from a tap to hydraulic gearcase.
afterwards, couple the Hydraulic Gearcase to the machine by its quick coupling
(see picture nr. 2)

2.2.5 Electric connections

a) Link Hydraulic Gearcase with the net by the plug , for the tension - see label on the switch box;

b) After to have connected the hydraulic clutches, give a small impulse to starting to the Hydraulic Gearcase by switch on - off, and to make sure that electric motor revolve in the direction of indicator put on it.

In the case if it is going to go in the contrary direction, you have to take off the plug from the system (picture 3) and then to invert two lead in the same (see picture 3, L2, L3), subsequently repeat the operation from point "a".

III MAINTENANCE

3.1 MAINTENANCE

The hydraulic gearcase do not need daily maintenance.

To check 1 time par month teh oil level, and procede to its change each 2000 working hours

3.2 Cleaning

3.2.1

After disconnecting the quick couplings put always the protection on them, getting sure that they have been carefully cleaned before hands.

IV WARNING & REMAINING RISKS

4.1 General warning of security

Do not use the machine for operations and aims not provided by the manufacturer.

Do not allow anybody not qualified to put hands into the machine.

To check loss of oil and water in this case stop the machine.

Use if necessary personal protection disposals, according to the rules (glasses, masks, and so on).

Ask your employer about the security rules in force, and also about the security disposals against accidents.

Before using the machine get sure that there isn't any possibility of danger.

Inform the maintenance staff about any operation's irregularity.

Never use the machine without its special protections provided by the manufacturer.

4.1.2 Putting out of order & dismantling

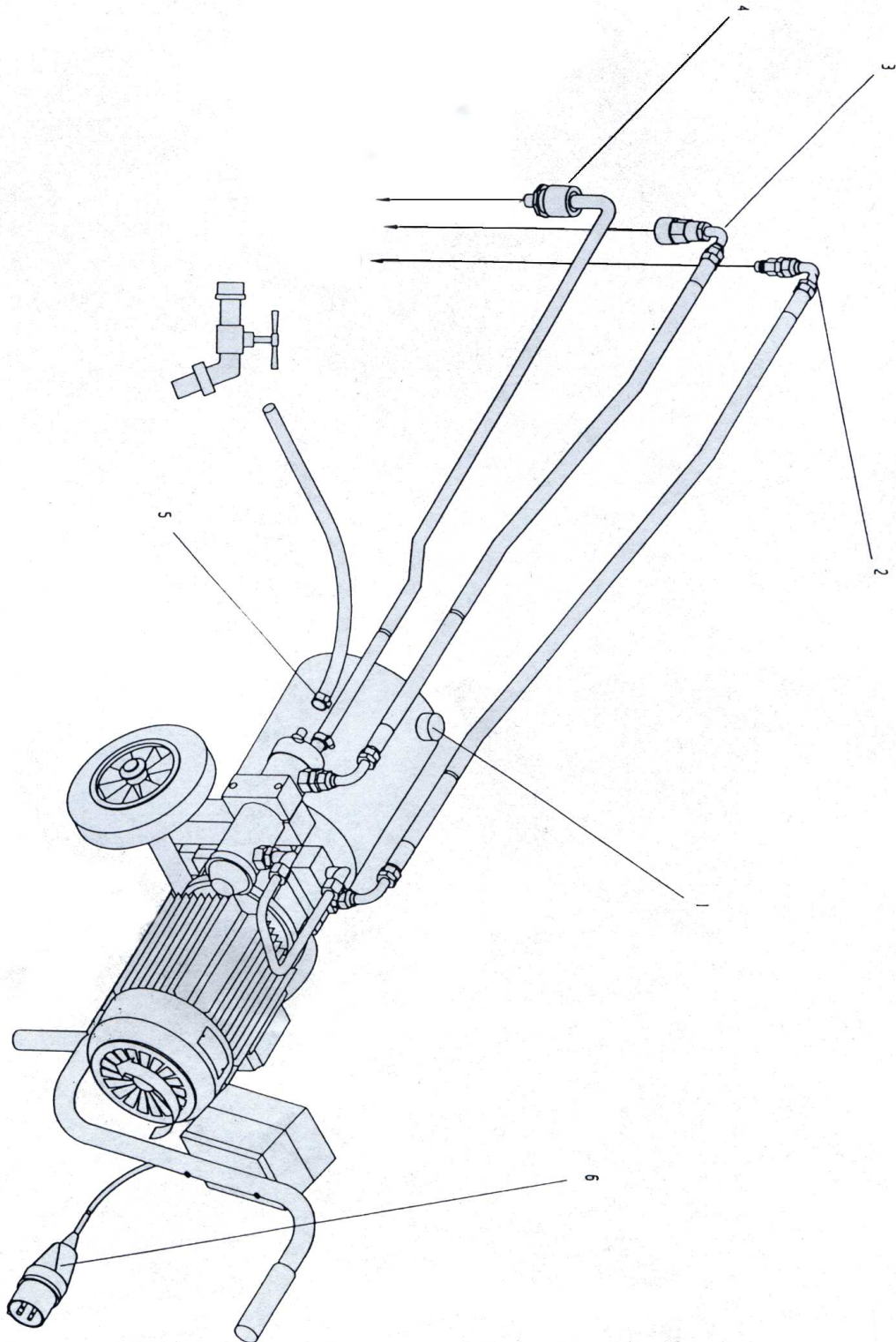
For machine's dismantling follow the rules and law in force on matter.
as for the no - iron - made parts, they are to be sent to a qualified Company, while as the iron - made parts, can be sold.

4.2 Remaining risks

The Manufacturer considers that by using the provided protections there isn't any risk left by using the machine.

The operator has anyway the duty to comply with the law in force, on matter of worker security, and especially with the Order in Council 19.09.94 nr. 626.

PICTURE N°2



PICTURE N°3

